

# HOUSING BRACKETS

**WBJ** Bracket with sturdy joint. It is suitable for medium and large extruded aluminium housings.

**WBM** Medium-duty die-cast aluminium bracket with integrated joint. It is particularly suitable for medium-small size housings.

**WBOV** Bracket with joint. It offers vandal proof protection, due to the internal cable channel. It is suitable for housings with cable management.

**WBOV3** Die-cast aluminium reinforcing support plate in weather-proof box, supplied with WBOV bracket. When combined with brackets with an internal cable channel, it allows wiring access into the weatherproof box.

**WCM3** Ceiling mount. It allows an easy position adjustment of the housing.

**WCM4** Ceiling mount with internal cable channel. It combines an easy position adjustment with vandal proof protection. It is suitable for housings with cable management.

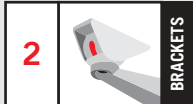
**WCM5** Same features as WCM4 mount, but with cable channel exterior to the joint. Suitable for housings with external channel for power supply and video signal cables.

**WCMP** 500 mm linear extension for WCM4 and WCM5 mounts.

**WFC** Column bracket with joint, suitable for all the housings equipped with cable glands.



WBM



WBOV3

WCM4

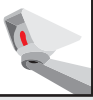
WCM3

WFC

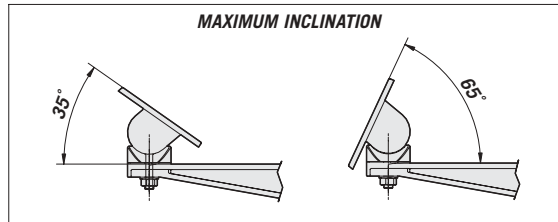
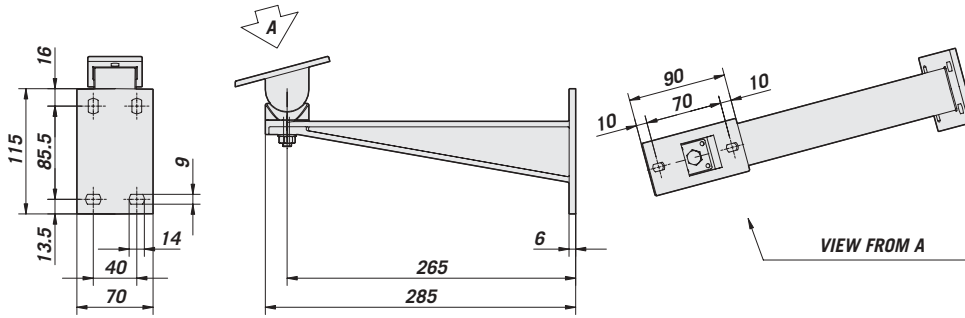
WCM5

- For indoor and outdoor installation
- Made in aluminium, painted with epoxy powder

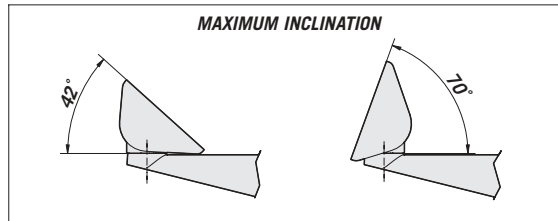
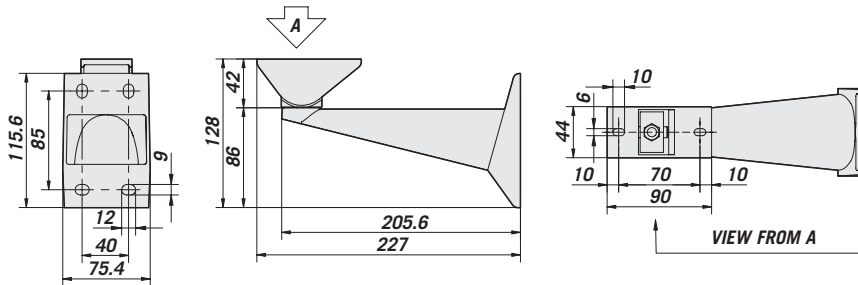
MODELS	
<b>WBJ</b>	Housing wall bracket with balljoint
<b>OBJ</b>	Only balljoint for housings
<b>WBM</b>	Housing wall bracket with balljoint
<b>WBOV</b>	Wall bracket with cable channel
<b>WBOV3</b>	WBOV wall bracket, support plate and integrated junction box with internal cable channel
<b>WCM3</b>	Ceiling bracket with balljoint
<b>WCM4</b>	Ceiling bracket with internal cable channel
<b>WCM5</b>	Ceiling mount with balljoint
<b>WCMPA</b>	Extension for WCM4-WCM5 brackets
<b>WFC</b>	Parapet mount with balljoint



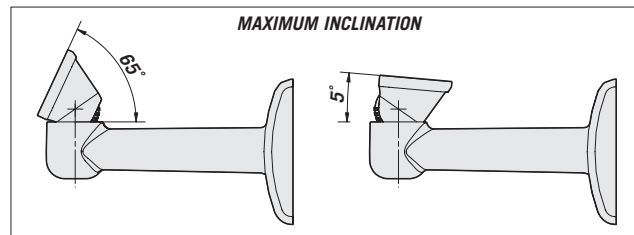
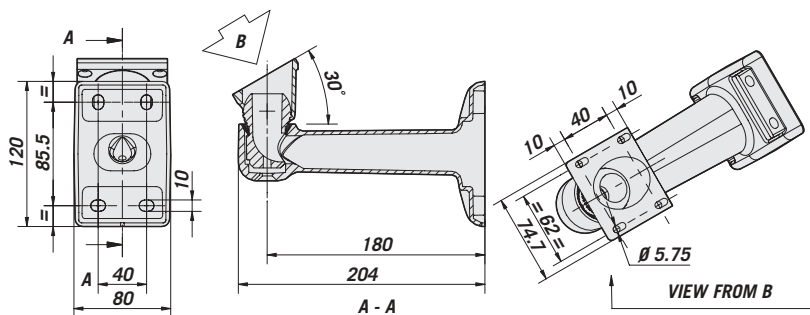
**WBJ**



**WBM**

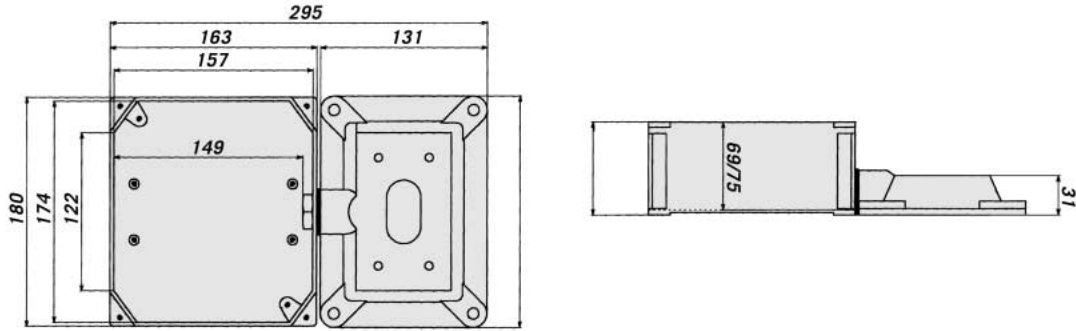


**WBOV**

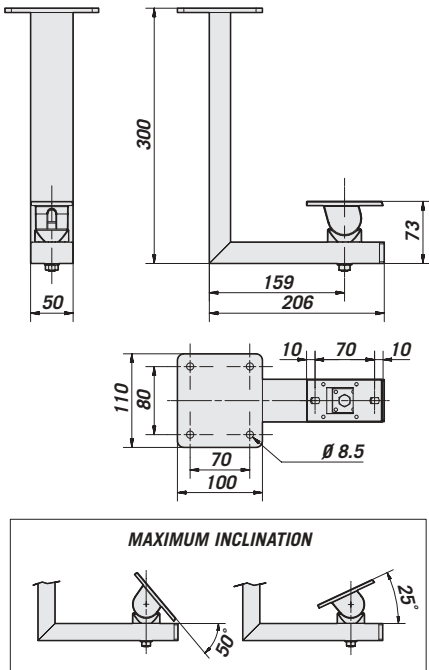


The values are in millimeters.

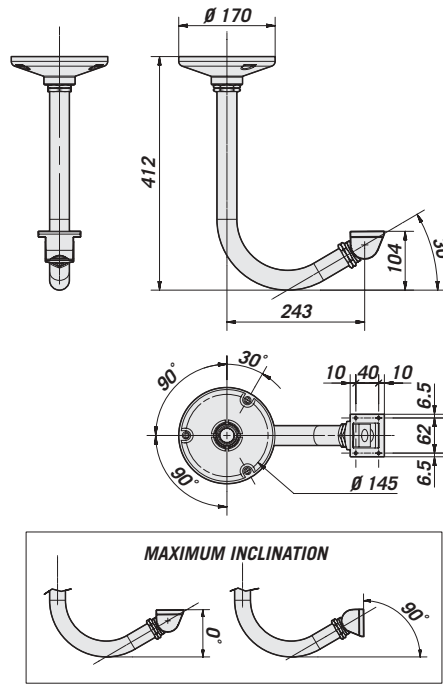
**WBOV3**



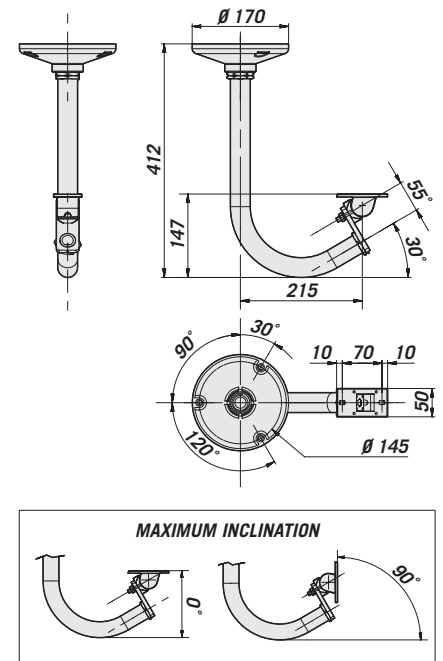
**WCM3**



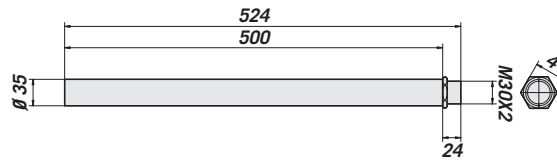
**WCM4**



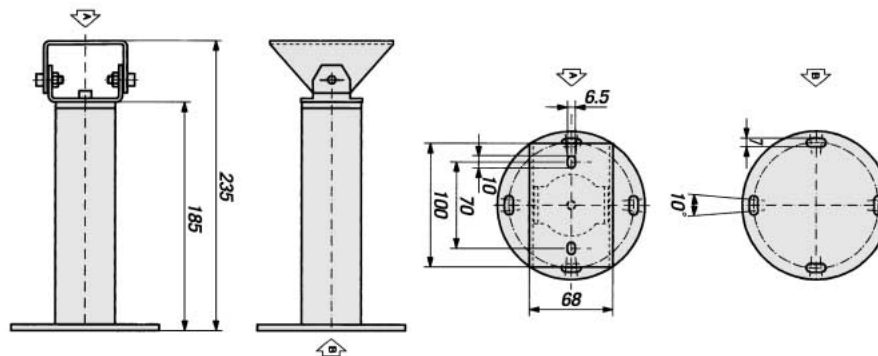
**WCM5**



**WCMP**



**WFWC**



The values are in millimeters.



## TECHNICAL DATA

### GENERAL:

#### WBJ

- Made of die-cast aluminium
- Painted with epoxy polyester powder RAL9002
- Supplied with allen key for joint adjustment and housing screws

#### WBM

- Made of die-cast aluminium
- Painted with epoxy polyester powder RAL9002
- Supplied with allen key for joint adjustment and housing screws

#### WBOV

- Made of die-cast aluminium
- Painted with epoxy polyester powder RAL9002
- Supplied with allen key for joint adjustment and housing screws

#### WCM3

- Made of die-cast aluminium
- Painted with epoxy polyester powder RAL9002

#### WCM4

- Made of curved aluminium tube
- Painted with epoxy polyester powder RAL9002

#### WCM5

- Made of curved aluminium tube
- Painted with epoxy polyester powder RAL9002

#### WCMP

- Made of aluminium tube
- Painted with epoxy polyester powder RAL9002

#### WFWC

- Made of aluminium
- Painted with epoxy polyester powder RAL9002

### MECHANICAL

#### WBJ

- Housing position adjustment is made with only one bolt
- Wall mounting or on modular adaptors
- Load rating 25kg (55 lb)
- Length 285mm (11.22 in)

#### WBM

- Housing position adjustment is made with only one bolt
- Wall mounting or on modular adaptors
- Load rating 25kg (55lb)
- Length 226mm (8.89 in)

#### WBOV

- Vandal proof protection, due to internal cable management
- Housing position adjustment is made with only one bolt
- Wall mounting or on modular adaptors
- Load rating 25 kg (55 lb)
- Length 204 mm (8 in)

#### WCM3

- Housing position adjustment is made with only one bolt
- Ceiling mounting
- Load rating 15 kg (33 lb)
- Length 300 mm (11.81 in)

#### WCM4

- Internal cable management
- Ceiling mounting
- Load rating 15 kg (33 lb)
- Length 390 mm (15.35 in)

#### WCM5

- Housing position adjustment is made with only one bolt
- Ceiling mounting
- Load rating 15 kg (33 lb)
- Length 390 mm (15.35 in)

#### WCMP

- Extension 500 mm (19.68 in) extension for WCM4 and WCM5

#### WFWC

- Column and parapet mounting
- Load rating 15 kg (33 lb)
- Length 185 mm (7.28 in)

### ENVIRONMENT

- Indoor/outdoor



#### Unit Weight (kg / lb):

WBJ: 0,6 / 1.32  
 WBM: 0,5 / 1.1  
 WBOV: 0,6 / 1.32  
 WBOV3: 2,4 / 5.29  
 WCM3: 1,8 / 3.96  
 WCM4: 1,3 / 2.86  
 WCM5: 1,4 / 3.08  
 WCMP: 0,5 / 1.1  
 WFWC: 0,45 / 0.99

#### Package Weight (kg / lb):

WBJ: 0,7 / 1,54  
 WBM: 0,6 / 1,32  
 WBOV: 0,7 / 1,54  
 WBOV3: 2,5 / 5,51  
 WCM3: 2,1 / 4,62  
 WCM4: 1,7 / 3,74  
 WCM5: 1,7 / 3,74  
 WCMP: 0,6 / 1,32  
 WFWC: 0,45 / 1,32

#### Package Dimensions (cm / in):

WBJ: 7,5x12x31 / 2.95x4.72x12.2  
 WBM: 7,5x12x24 / 2.95x4.72x9.44  
 WBOV: 8,5x13x21 / 3.34x5.11x8.26  
 WBOV3: 11x19x53 / 4.33x7.48x20.86  
 WCM3: 13x32,5x27 / 5.11x12.79x10.62  
 WCM4: 10,5x36,5x36,5 / 4.13x14.37x14.37  
 WCM5: 10,5x36,5x36,5 / 4.13x14.37x14.37  
 WCMP: 6x6x58,5 / 2.36x2.36x23.05  
 WFWC: 14,5x15x26,5 / 5.7x5.9x14.43

#### Master Carton (units):

WBJ: 40  
 WBM: 50  
 WBOV: 50  
 WBOV3: 1  
 WCM3: 1  
 WCM4: 13  
 WCM5: 13  
 WCMP: 1  
 WFWC: 1