



**MICROLINE 3320/3321**

## **MICROLINE 3320/3321**

**9 Pin Dot-Matrix Printers**

**Professional printers  
you can rely on**



**OKI**  
People to People Technology

# MICROLINE 3320/3321

# MICROLINE

## MICROLINE 3320/3321

## TECHNICAL FEATURES



### Major Applications

The ML 3320/3321 narrow and wide carriage printers are suited to high speed, high volume data and word processing applications where fast throughput and flexible paper management are required. Outstanding reliability, ease of use and barcoding facilities make them ideal for customer service points in wholesale, retail and service environments:

- Multi-part forms
- Labels
- Listings
- Customer service points
- Accounts - spreadsheets, computer printouts (wide carriage version)

### General Printer Characteristics

- |                            |                                     |                |
|----------------------------|-------------------------------------|----------------|
| • Number of pins:          | 9                                   |                |
| • No. of multi-part forms: | 5 (one original + 4 copies)         |                |
| • Print speed at:          | 12 cpi                              | 10 cpi         |
| - Super speed:             | 435 cps                             | -              |
| - High speed draft:        | 387 cps                             | 387 cps        |
| - Utility:                 | 290 cps                             | 290 cps        |
| - Near letter quality:     | 73 cps                              | 73 cps         |
|                            | <b>ML 3320</b>                      | <b>ML 3321</b> |
| • Fastest print speed:     | 435 cps                             | 435 cps        |
| • Carriage width (10 cpi): | 80 columns                          | 136 columns    |
| Max. in compressed mode:   | 160 columns                         | 272 columns    |
| • Dimensions:              |                                     |                |
| - Height:                  | 116 mm                              | 116 mm         |
| - Width:                   | 398 mm                              | 552 mm         |
| - Depth:                   | 345 mm                              | 345 mm         |
| - Weight:                  | 7.8 kg                              | 10.1 kg        |
| • Continuous paper:        | 3-10"                               | 3-16"          |
|                            | (76-254 mm)                         | (76-406 mm)    |
| • Continuous envelopes:    | 6.5 x 3.6"                          | 9.4 x 4.1"     |
|                            | (165 x 91 mm)                       | (239 x 102 mm) |
| • First printable line:    | 0.02" (0.5 mm)                      |                |
| • Character pitch:         | 10/12/15/17/20 pitch & proportional |                |
| • Graphics resolution:     | Up to 240 x 216 dpi                 |                |
| • Memory:                  | 28 Kbytes                           |                |
| • Noise level:             | 57 dBA/52 dBA (quiet mode)          |                |
| • Power requirements:      | 230V AC (+6%, -14%) 240V AC (±10%)  |                |
| • Frequency:               | 50/60 Hz                            |                |

### Font & Print Features

- |                           |                             |
|---------------------------|-----------------------------|
| • Resident typefaces (3): | Courier, Gothic, Sans Serif |
| • Font styles:            | Italics, scalable           |
| • Barcodes:               | Seven resident              |

### Interfaces & Emulations

- |                        |  |
|------------------------|--|
| • Emulations:          | Epson FX, IBM Graphics/Proprinter, Oki MicroLine |
| • Standard interfaces: | Centronics Parallel                              |
| • Optional interfaces: | Serial RS 232C/RS 422/Current Loop               |

### Reliability

- |                    |  |
|--------------------|--|
| • Print head life: | 200 million characters                         |
| • Ribbon life:     | 3 million characters in utility mode at 10 cpi |
| • MTBF:            | 10,000 hours                                   |



### Paper Handling

#### Standard

- Paper parking
- Zero tear-off
- Push tractors
- Bottom feed
- Autoload single sheet

#### Optional

- Pull tractors
- Single/dual bin cut-sheet feeder
- Roll paper stand (80 column only)
- Bottom tractors with metal long-life tear-off bar

1. Bottom feed: For dedicated volume printing tasks - requires pull tractor or bottom push tractor for zero tear-off and/or paper parking
2. Top feed: For single sheet applications - invoice sets, orders
3. Rear feed: For greater flexibility - paper parking and cut-sheet feeder

### European Head Office Oki Europe Limited

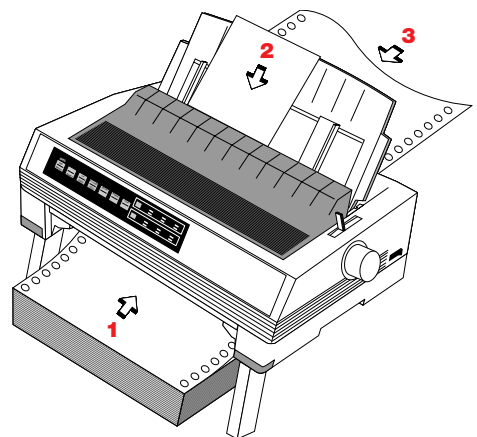
Central House  
Balfour Road  
Hounslow  
Middlesex  
TW3 1HY  
United Kingdom

**Oki strongly recommends the use of original Oki ribbons. Inferior ribbons are less durable and can damage your print head.**

**Specifications subject to change without notice.**

**All trademarks acknowledged.**

As an ENERGY STAR partner, Oki has determined that this product meets the ENERGY STAR guidelines for energy efficiency



Telephone +44 (0)20-8219 2190

Fax +44 (0)20-8219 2199

Web Site [www.okieurope.com](http://www.okieurope.com)

**OKI**  
People to People Technology