

**DS-PD501PC12**  
**Bus PIR-Camera Detector**

- Captures images instantly upon alarm for visual verification
- Seamless integration of PIR detection and built-in camera
- Accurate motion detection with 12m / 90° coverage and up to 30 kg pet immunity
- Clear night images with efficient IR illumination
- Stable performance with Smart Environmental Control (SEC)
- Remote configuration and control via mobile App

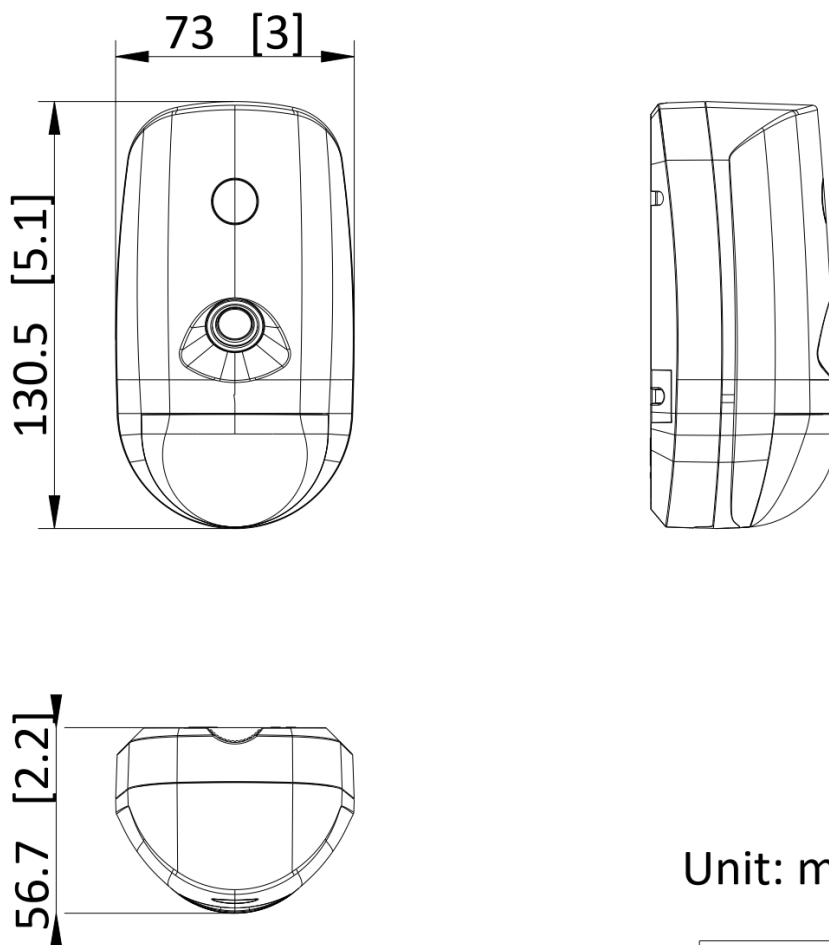
## ▪ Specification

<b>PIR detection</b>	
Detection method	Low noise Dual Element Pyroelectric sensor
Detection range	12 m
Detection angle	90°
Detection zones	84
Detection planes	7
Detectable speed	0.3 m/s ~ 2 m/s
Sensitivity	Low, Normal, High
Pet immunity	30kg
White light filter	6500 lux
Sealed optics	Support
Digital processing	Support
Temperature compensation	Automatic
<b>Camera</b>	
Angle	109°(H) 60°(V)
Sensor type	CMOS
Day light video	Colour
Night vision video	Black & White
Illumination	Automatic with 1 × IR LED
Illumination range	12 m
Image format	JPEG
Resolution	VGA (640 × 480) HD(1280 × 720) FHD(1920 × 1080)
Images in series	Up to 3 images with resolution FHD Up to 6 images with resolution HD Up to 10 images with resolution VGA
<b>Bus interconnection</b>	
Bus-extender	No
Bus technology	Half-Duplex RS-485
Bus wiring	4-Core Alarm Cable (at least 2×0.5mm <sup>2</sup> +2×0.22mm <sup>2</sup> )
<b>Power supply - general</b>	
Input voltage	12 VDC nominal (9~16 VDC), powered by bus
Quiescent current	70 mA @12VDC
Max. current	100 mA @12VDC
<b>Environmental</b>	
Operating temperature	-10°C to 50°C (14°F to 122°F), indoor use only
Storage temperature	-20°C to 60°C (-4°F to 140°F)
Relative humidity	10% ~ 90% non-condensing
<b>Physical</b>	
Dimension (W × H × D)	73 mm × 130.5 mm × 56.7 mm
Weight	195 g
Tamper-proof	Front and Rear
Installation method	Wall mount & Ceiling mount (with bracket)

Bracket	DS-PDB-IN-Ceilingbracket (Optional) DS-PDB-IN-Wallbracket (Optional)
Mounting height	1.8 m ~ 2.4 m, 2.1 m typical
<b>Compliance</b>	
Electrical conformity	CE, CB
EN 50131	Security Grade 2, Environmental Class II

*\*Specifications are measured under laboratory conditions. Actual performance may vary depending on operating environment and application-specific factors.*

**▪ Dimension**



Unit: mm [inch]

SCALE	1:1
-------	-----

# See Far, Go Further



[www.hikvision.com](http://www.hikvision.com)  
[support@hikvision.com](mailto:support@hikvision.com)

